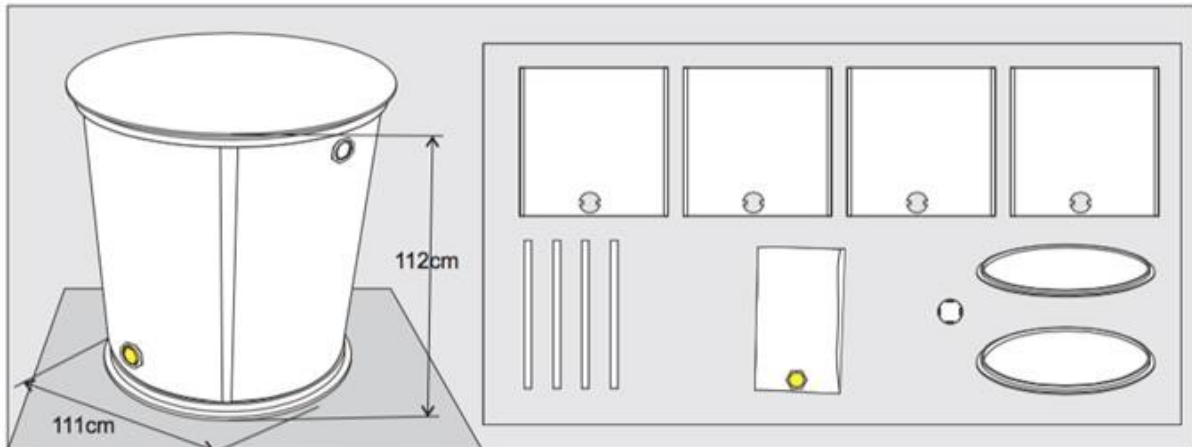


## Technical Specifications

**Components included:** 4 x walls, 2 x lid/base, 1 x sealed liner, 4 x screws, 3 x lock-nuts, 4 x aluminium joiners



**Shipping dimensions (cardboard boxed):** fits on pallet, and 2-wide in shipping container  
Height: 125mm x Depth: 1155mm x Width: 1130mm  
Weight: 23kgs + 3kg packaging



### Completed dimensions:

Height: 1120mm  
Internal Radius: 551mm  
External Diameter: 1110mm

**Materials:** High Density Polypropylene outer, sealed inner liner of Nylon and Polyethylene blended, quad layered

Food-graded (HACCP-certified) Compliant with Australian Standard AS 2070, Part 2, "Plastic Material for Food Contact Use"

**Colours available:** Slate Grey, Cream, Marine and Heritage Green

## Further transport information

Palletised stacking: 9-14 high depending on transport method (9 for air and up to 14 for domestic interstate)



### Container transport (as tested)

20 foot TEU: 188 units/30 M<sup>3</sup>

40 foot HiQ: 400 units/63 M<sup>3</sup>

### Lead times (if out of stock or order > stock):

Manufacturing:	up to 21 days
Transit (sea freight):	24-26 days (port of origin BKK)
Domestic transfer:	2-3 days